

### Features

- ✓ PTFE Teflon® Bonded Diaphragm
- ✓ Glass Filled PP Bonnet
- ✓ PVC | PP | PVDF Body
- ✓ 1/2" NPT Process Connection



### Easy to Mount Gauges

- ✓ No Special Equipment is Required.
- ✓ Perfect Mate for Truflo OBS Plastic Gauges

### Perfect for Instrumentation Protection

- ✓ Eliminates Sediment Build-Up in Gauges
- ✓ Available in Different Colors -Personalize your process skid or chemical application
- ✓ FPM or PTFE bonded FPM dished diaphragm for High Chemical Resistance and Sensitivity

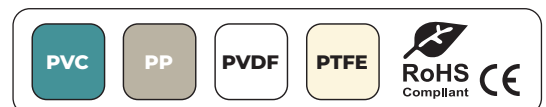
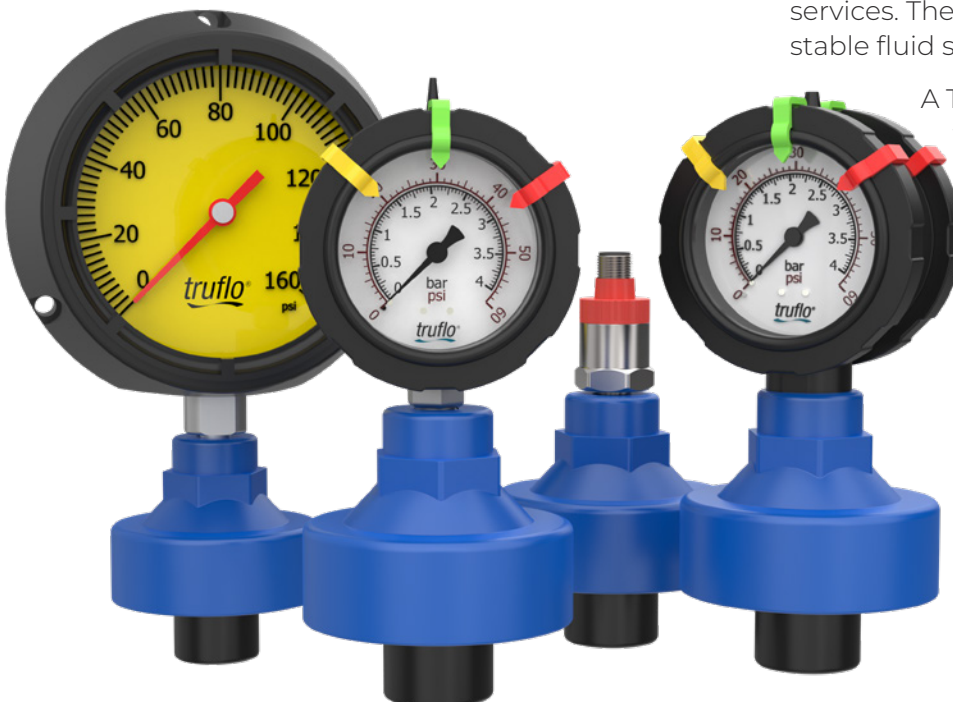
### Heavy Duty Design for Safety

- ✓ Small Footprint
- ✓ Heavy Wall Connection Ports-Eliminates need for external bushing

## Truflo GI Series: Flexible Gauge Isolators for Corrosive Environments

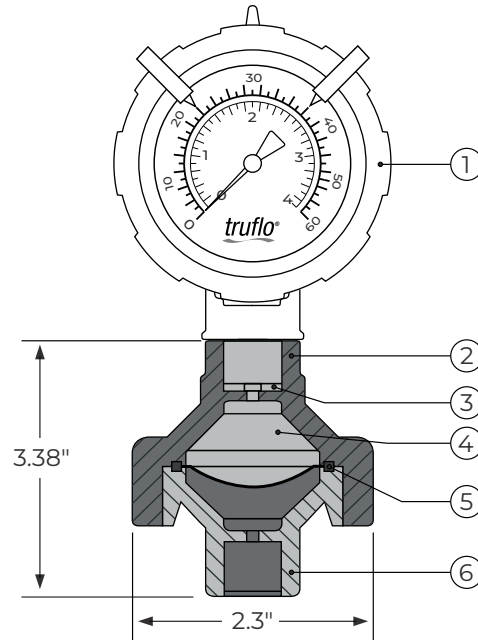
Truflo GI Series Gauge Isolators allow pressure gauges or any other pressure instrument to be used in corrosive services. The upper chamber (gauge side) is filled with a stable fluid such as glycerin or silicone.

A Teflon® bonded diaphragm separates it from the lower chamber which receives the media under pressure. Customers can easily fill isolators and install their own gauges, ensuring flexible and customizable application across various industrial settings.



### Technical Specifications

No.	Part	Materials
1	Pressure Gauge	PP   316 SS
2	Bonnet	PP   PVDF
3	O-Ring	FPM-G-Thread Only
4	Liquid Fill	Glycerin   Silicone
5	Diaphragm	PTFE Teflon® Bonded
6	Lower Chamber	PVC   PP   PVDF



### Working Pressure (Psi) – Non Shock

Material	10 – 20°C 50 – 68°F	30°C 86°F	40°C 104°F	50°C 122°F	60°C 140°F	70°C 158°F	80°C 176°F	90°C 194°F	100°C 212°F	120°C 248°F
PVC	150	100	80	45	15	-	-	-	-	-
PP	150	125	100	80	65	45	-	-	-	-
PVDF	150	150	150	125	105	85	70	60	45	30

Temperature Ranges : PVC 0 to 60°C (32 to 140°F) | PP 10 to 80°C (50 to 176°F) | PVDF -30 to 120°C (-22 to 248°F)

### Model Selection

#### GI Series — All Plastic Gauge Guard

Part Number	Material
<b>GI-P</b>	PVC with PTFE Bonded Teflon® Diaphragm
<b>GI-PP</b>	PP with PTFE Bonded Teflon® Diaphragm
<b>GI-PF</b>	PVDF with PTFE Bonded Teflon® Diaphragm